

MEMO

REGARDING: PRODUCT LINE CHANGE

TO: ALL

FROM: B-TEK SCALES, LLC

DATE: 8-19-11

DATE EFFECTIVE: IMMEDIATELY

Please be advised the previous CPR analog load cell design is now discontinued. The new housing design matches the form factor of the CPD-M digital load cell. The mounting parts kits will now be the same for the CPR-M analog and the CPD-M digital cell. The new analog load cell design is housed in a laser welded stainless steel housing for superior environmental protection. A poly coated stainless steel sheath prevents moisture and rodent damage to the integral cable. The design provides direct weight measurement without the need of mechanical linkages. Although service parts are still available for the previous designs, the mounts and measurements for all new analog scales using these cells will be made according to the new cell specifications.

Please contact B-TEK inside sales with any questions regarding existing CPR analog load cells or cell service.

Thank you.

B-TEK Scales, LLC

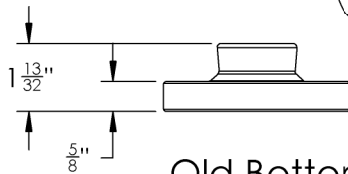
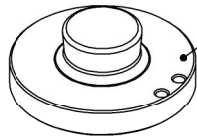
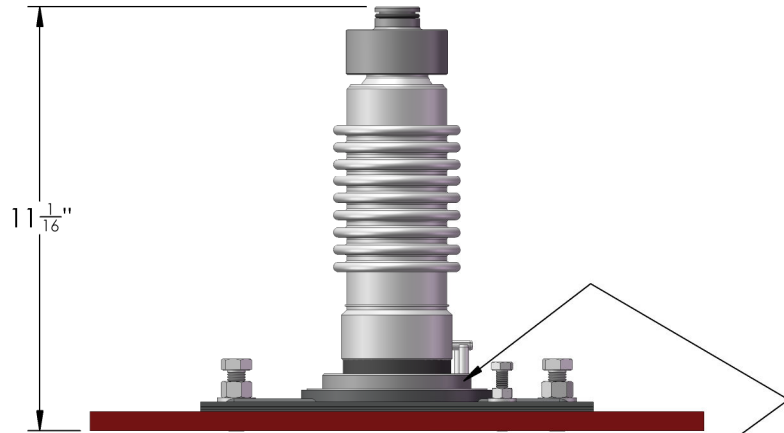


Previous design



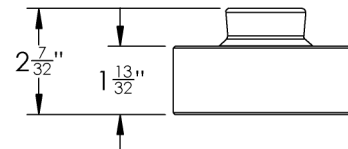
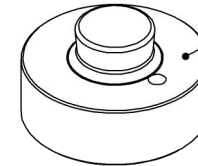
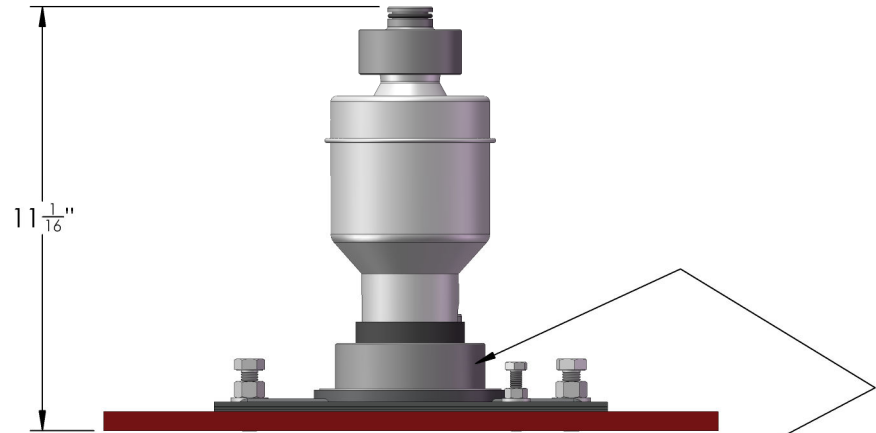
New design

CPR ANALOG
(Old Style Load Cell)



Old Bottom Receiver

CPR-M ANALOG
(New Style Load Cell)



New Bottom Receiver

Notes:

- Replacing existing CPR (Old Style) load cell with CPR- M(New Style) load cell requires the bottom receiver to be changed.



- Anti-rotation pin and height of CPR (Old Style) bottom receiver will not work with the CPR-M (New Style) cell.

- The top receiver, debris ring, non-metallic disc and grounding strap are the same for both styles of cells.

- The bottom receiver or complete cell mounting kit will be sent with each CPR-M load cell ordered.

PROPRIETARY AND CONFIDENTIAL
The information contained within this drawing is the property of B-TEK Scales LLC, and is loaned to the recipient for their confidential use only. The recipient promises and agrees that it shall not be used in a way that would prove to be detrimental to the interest of B-TEK Scales LLC, and that this drawing must be returned upon request. This drawing may not be reproduced, copied, loaned, or otherwise disposed of, directly or indirectly, without the express written consent of B-TEK Scales LLC.

UNLESS OTHERWISE SPECIFIED:
DIMENSIONS ARE IN INCHES
TOLERANCES ARE AS FOLLOWS:
MACHINED - FRACTIONAL: ±1/32"
FABRICATED - FRACTIONAL: ±1/8"
FLATNESS: ±1/8"
SQUARENESS: ±1/8"
ALL WELDS TO 3E 1/4" FILLET CONTINUOUS
UNLESS OTHERWISE SPECIFIED.
BREAK / ROUND ALL SHARP EDGES
AND DE-BURR ALL DRILLED HOLES

	NAME	DATE	  1510 Metric Avenue S.W. Canton, OH 44706-3081
DRAWN	MRC	8/8/2011	
CHECKED			
B-TEK CERTIFIED			TITLE:
			New Analog Cell Comparison
SIZE	DWG. NO.	REV	
A			
ELECTRONIC DWG. FILE NO MANUAL REVISIONS		DO NOT SCALE DRAWING	SHEET 1 OF 1